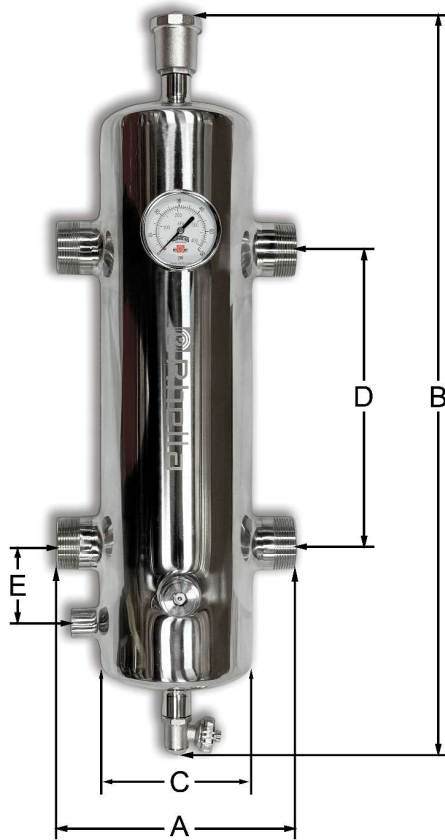


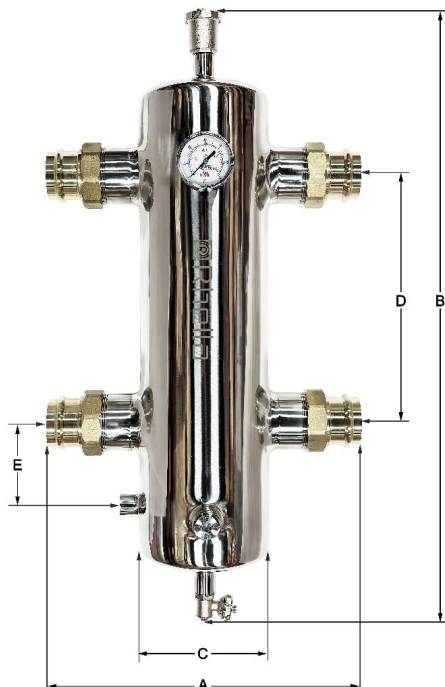


Stainless Steel Hydraulic Separators

• FNPT Connections



• Union Connections



4 in 1 Hydraulic Separators

Rhella 4-in-1 Hydraulic Separators are designed to provide efficient separation of dirt, air and ferrous particles while maintaining optimal hydraulic balance within hydronic systems.

Coalescing media or pall rings promote the aggregation of air and micro-bubbles, that are automatically discharged through the automatic air vent.

Suspended dirt and debris settle at the bottom for removal through the service drain, while the integrated removable magnetic rod enhances the extraction of ferrous contaminants.

Manufactured from high-grade 304 stainless steel, for superior corrosion resistance and durability

- Internal stainless steel coalescing media or Pall rings
- Makeup water connection
- Automatic air vent
- Dirt Magnet
- Drain

Technical Specifications

- 304 stainless steel body, baffle or Pall rings
- M50 grade neodymium rod magnets
- 12,000 gauss holding force, temperature rated to 90 °C
- Maximum Operational Pressure: 150 PSI
- Maximum Operation temperature: 210°F
- Fluids: Water or up to 50% Glycol

Included

- 1 x Hydraulic separator
- 1 x 0-60 psi Pressure gauge
- 1 x Automatic air vent
- 1 x Dirt magnet in M and P
- 1 x Drain valve

MNPT Connection Models

Model# SKU	Dirt Magnet	Pall Rings	Connection Size	Flow GPM	Dimension - mm					Weight	
					A	B	C	D	E	lb	kg
LLH100	x	x	1"	11	150	515	77	220	50	4.4	2
LLH100M	✓	x	1"	11	150	515	77	220	50	5.2	2.4
LLH125	x	x	1-1/4"	18	175	630	102	240	55	6.8	3.1
LLH125M	✓	x	1-1/4"	18	172	630	102	240	55	7.4	3.4
LLH150	x	x	1-1/2"	26	210	660	135	260	70	9.6	4.3
LLH150M	✓	x	1-1/2"	26	210	660	135	260	70	10	4.6
LLH200M	✓	x	2"	37	265	740	160	300	80	14.2	6.5

Union Connection Models

Model# SKU	Dirt Magnet	Pall Rings	Connection Size	Flow GPM	Dimension - mm					Weight	
					A	B	C	D	E	lb	kg
LLH100MU	✓	x	1"	11	243	515	77	220	65	6	2.7
LLH125MU	✓	x	1-1/4"	18	265	620	103	235	90	8.5	3.8
LLH150MU	✓	x	1-1/2"	26	310	670	134	260	85	11.4	5.2
LLH200MU	✓	x	2"	37	380	745	160	300	100	16.8	7.6
LLH200PU	✓	✓	2"	37	380	745	160	300	100	22.6	10.3