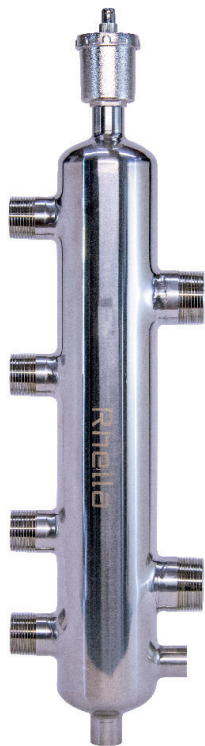
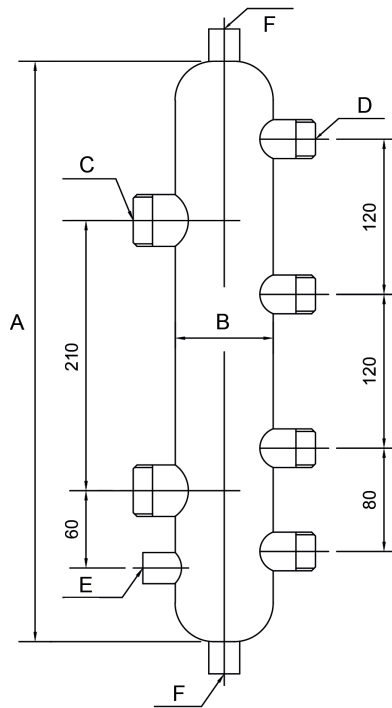


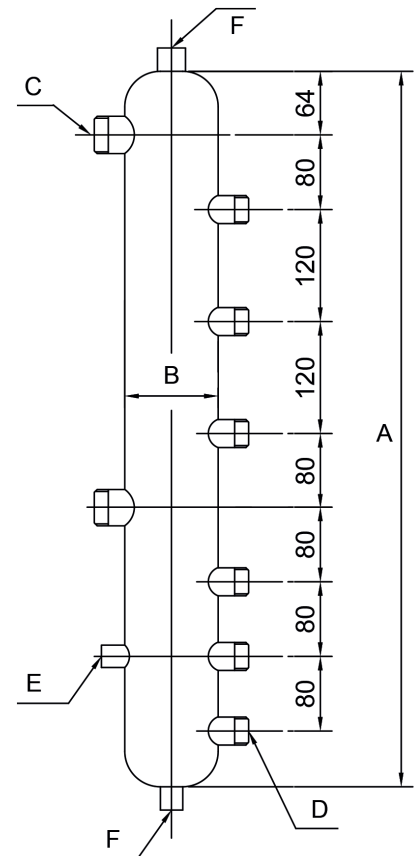
Stainless Steel Two and Three Way Hydraulic Separators



LLH204



LLH206



- **LLH204** 2-Way 1-1/4" x 1" 304 Stainless Steel Hydraulic Separator with NPT Connections
Flow Primary: **18 GPM** (4 m³/h) Flow Secondary: **17 GPM** (3.86 m³/h)
- **LLH206** 3-Way 1-1/4" x 1" 304 Stainless Steel Hydraulic Separator with NPT Connections
Flow Primary: **18 GPM** (4 m³/h) Flow Secondary: **26 GPM** (5.9 m³/h)

* Numbers on the drawings are in millimeters

Model Number	A	B	C	D	E	F	Weight
LLH204	17-3/4"	3"	2 x 1-1/4" MIP	4 x 1" MIP	1/2" FIP	1/2" GF	5.8 lbs
LLH206	30-1/4"	4"	2 x 1-1/4" MIP	6 x 1" MIP	1/2" FIP	1/2" GF	8.4 lbs